

OSG protection tube is a part of measuring installation, where a sensing element (temperature sensor) is installed by means of a threaded connector. Protection tube needs to be welded. It is manufactured in accordance with individual client requirements.

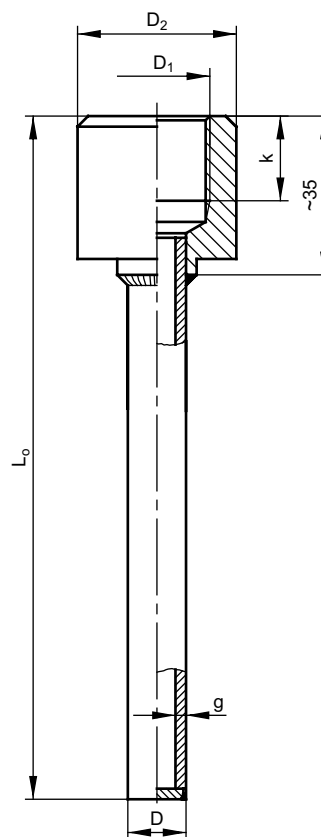
Specification

Material*

stainless steel 1.4541

Dimensions*

D x g	D ₁	D ₂	k
8 x 0,6	M10 x 1	18	12
	M12 x 1 (1,5)		
9 x 1	G $\frac{1}{4}$	20	12
10 x 1,5	M14 x 1,5	25	16
11 x 2	G $\frac{3}{8}$		
12 x 1,5	M18 x 1,5	30	16
14 x 2	M20 x 1,5		
15 x 2	G $\frac{1}{2}$	36	20
	M27 x 2		
	G $\frac{3}{4}$		



Protection tube length L₀ [mm] = 50±2000

*other parameters acc. to requirements

Product code

1	<input type="text"/>	Tube dimension D	
		15	15mm
			other parameters acc. to requirements
2	<input type="text"/>	Thread dimension D₁	
		G $\frac{1}{2}$	G $\frac{1}{2}$
			other parameters acc. to requirements
3	<input type="text"/>	Protection tube length L₀	
		700	700m
			other parameters acc. to requirements

1 2 3
 OSG - - -

Ordering example:

Protection Tube OSG-10-M12x1-50