

REFERENCES AND VERSIONS

References

0103011401	ANEM05H25 V3 4-20mA OUTPUT 120km/h M12 UNDERSIDE NO FEMALE CONNECTOR
0103011402	ANEM05H25 V3 4-20mA OUTPUT 120km/h M12 UNDERSIDE
0103011403	ANEM05H25 V3 4-20mA OUTPUT 120km/h M12 UNDERSIDE 12m CABLE
0103011404	ANEM05H25 V3 4-20mA OUTPUT 120km/h M12 UNDERSIDE 25m CABLE
0103011405	ANEM05H25 V3 4-20mA OUTPUT 180km/h M12 UNDERSIDE NO FEMALE CONNECTOR
0103011406	ANEM05H25 V3 4-20mA OUTPUT 180km/h M12 UNDERSIDE
0103011407	ANEM05H25 V3 4-20mA OUTPUT 180km/h M12 UNDERSIDE 12m CABLE
0103011408	ANEM05H25 V3 4-20mA OUTPUT 180km/h M12 UNDERSIDE 25m CABLE

Other devices of ANEM04403 V3 range

No heated 4-20 mA output

0103011001	Anemo4403 V3 4-20mA OUTPUT 120 km/h M8 LATERAL
0103011002	Anemo4403 V3 4-20mA OUTPUT 180 km/h M8 LATERAL
0103011003	Anemo4403 V3 4-20mA OUTPUT 120 km/h 20m CABLE
0103011004	Anemo4403 V3 4-20mA OUTPUT 180 km/h 20m CABLE
0103011005	Anemo4403 V3 4-20mA OUTPUT 120 km/h TIME 2s 20m CABLE

Heated pulses output

0103011301	ANEM05H25 V3 PULSES OUTPUT M12 UNDERSIDE NO FEMALE CONNECTOR
0103011302	ANEM05H25 V3 PULSES OUTPUT M12 UNDERSIDE
0103011303	ANEM05H25 V3 PULSES OUTPUT M12 UNDERSIDE 12m CABLE
0103011304	ANEM05H25 V3 PULSES OUTPUT M12 UNDERSIDE 25m CABLE
0103011305	ANEM05H25 V3 PULSE OUTPUT M12 UNDERSIDE + FIXED BRACKET + HARDWARE

Displays

0106030411	WM44-EV011 V3 IP65 24Vdc
0106030412	WM44-EV011 V3 IP65 230Vac
0106030901	WM44-P V3 AI 0-10V/4-20 mA INPUT 24Vdc
0106030902	WM44-P V3 AI 0-10V/4-20 mA INPUT 230Vac
0001	V-12
0103024473	BS100/3 4-20mA (multifunction display large size 3 digitis)
0103024474	BS100/4 4-20mA (multifunction display large size 4 digitis)
0103024475	BS100/5 4-20mA (multifunction display large size 5 digitis)

Accessories

0103010505	Stainless steel bracket AISI 304
0103010506 ¹	Stainless steel bracket plus hardware for mounting the wind sensor on the bracket
0103010507 ¹	Magnets for flat ferromagnetic surfaces. This fixation system can support up to 90 kg
0103010508	2 steel clamps kit that can be fixed to irregular parts measuring up to 63 x 45 mm

¹ 10 unit minimum order. On sale exclusively with wind sensor.

*For other references, please contact us.

NUOVACEVA
AUTOMATION



ANEM05H25 V3 4-20mA OUTPUT (HEATED)

ANEM05H25 V3

Heated wind speed sensor designed for different industries and sectors.

Anemo5H25 V3 4-20mA OUTPUT is an analogue electric output anemometer. It is a 4-20mA output proportional to the wind speed with full scale versions of 120 km/h and 180 km/h. It incorporates a heater to be able to work in - 0 °C temperatures. When the temperature is higher than +6° C, it switches itself off automatically to reduce the consumption.

Industrial design for extreme environments

4-20mA analogue output

Stainless Steel bearings

An external thermostat is not required

It Works from -20 °C with ice

NUOVACEVA
AUTOMATION

NUOVA CEVA AUTOMATION S.R.L.
via Don Signini 43 - 28010 - Briga Novarese - NO - ITALY
Phone +39 0322 93574

info@nuovaceva.it www.nuovaceva.it

CE

APPLICATIONS

ANEMO5H25 V3 4-20mA OUTPUT has been designed for industrial applications: cranes, solar panels, wind turbines, weather stations... It is a version that has been specially designed to work at low temperatures (from -20°C).

Its output can be connected to devices with analogue inputs such as PLCs, dataloggers, 4-20mA displays (see our references WM44-EVO11 V3, WM44-P AI, V-12, BS100/X) to display the wind speed and/or programme alarms to predefined values or to obtain records during predefined periods of time.

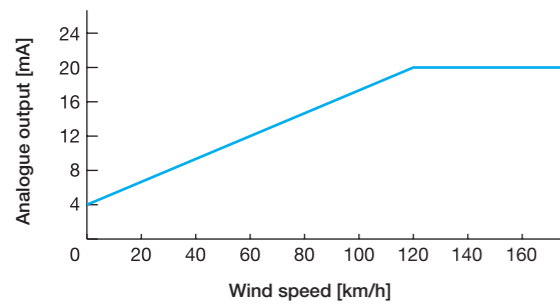
OPERATING

Survival speed: 120-180 km/h of wind speed. (see references)
It gives a 4-20 mA analogue output that depends on the wind speed. (see graphic)
The heater works from -20°C up to +6° C. Above this temperature, it switches itself off automatically to reduce the consumption.
The wind sensor must be fixed on a vertical position.

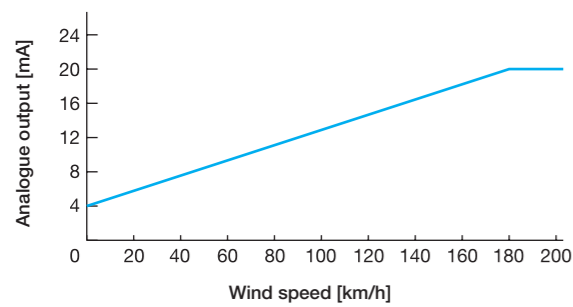
WIND SPEED - OUTPUT RATIO

The output signal is proportional to the wind speed.

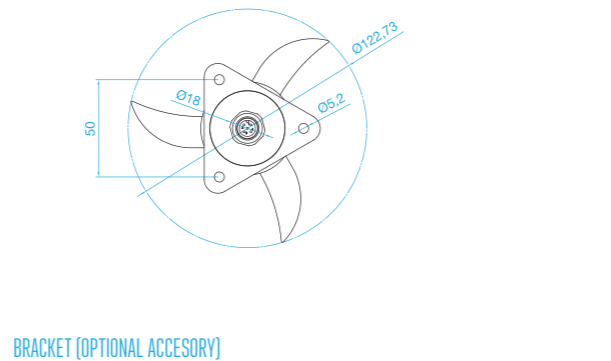
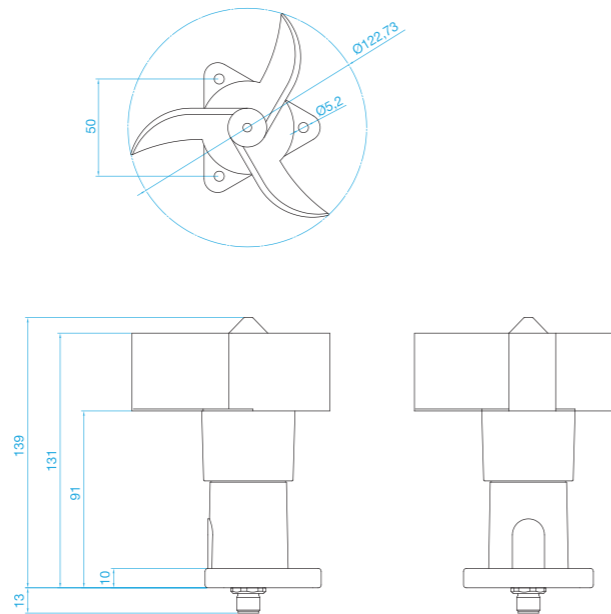
4...20 mA = 0...120 km/h



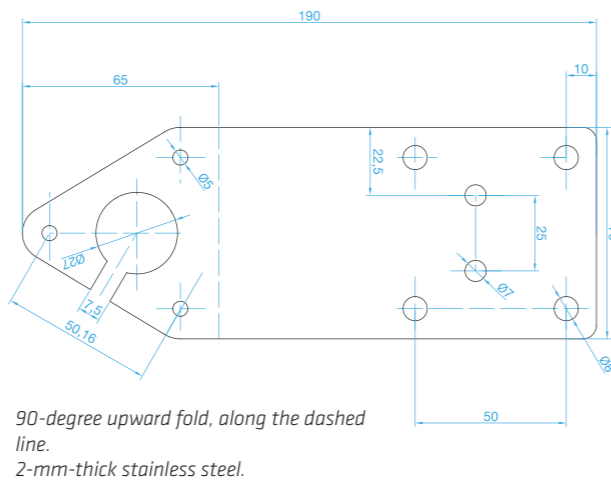
4...20 mA = 0...180 km/h



DIMENSIONS



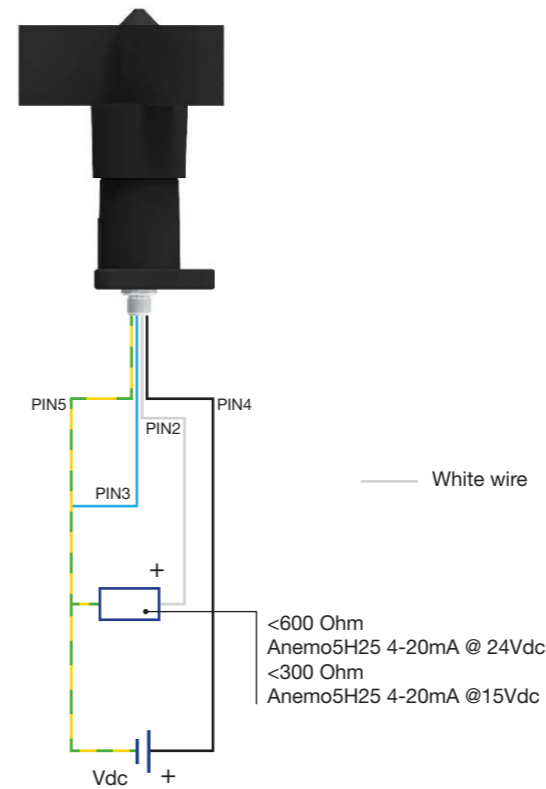
BRACKET (OPTIONAL ACCESSORY)



90-degree upward fold, along the dashed line.
2-mm-thick stainless steel.

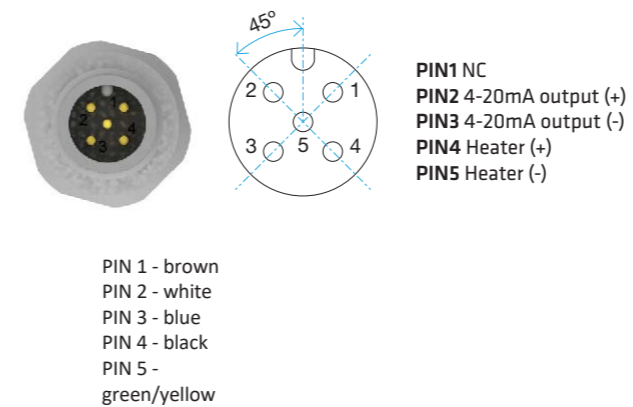
CONNECTION

BLOCKS DIAGRAM



Wires colours referenced to the cable suppli.
Cable not included in any version.
WM44-P cannot supply the heater, an external power supply is required.

ANEMO5H25 MALE M12 CONNECTOR



TECHNICAL FEATURES

Electrical features

Power supply	15...24 Vdc
Consumption with heater $t^{\circ} > 6^{\circ}C$ ($\pm 3^{\circ}C$)	<1.5 W
Average consumption with heater $t^{\circ} < 6^{\circ}C$ ($\pm 3^{\circ}C$)	<17 W
Maximum current	1.8 A @ 24 Vdc 1.2 A @ 15 Vdc
Output	Analogue (4-20 mA)
Maximum connectable impedance	<600 Ω @ 24Vdc <300 Ω @ 15Vdc

Measurements

Range	3-120 km/h* 3-180 km/h*
Starting speed	8 km/h
Survival speed	200 km/h
Accuracy	1km/h (3-15 km/h) 3% (15-120 km/h)* 3% (15-180 km/h)*

*Depending on the version

General features

Material	PA + FV
Bearings	Stainless Steel X65Cr13
Type of connection	Connector M12*
Weight	145 g
Dimensions	125x155 mm
Storage temperature	-35°C +80°C
Working temperature	-20°C +60°C
EMC	EN 61000-6-2:2001 EN 55022:2001, Class B
Protection	IP65 (UNE 20324:1993)

*See references